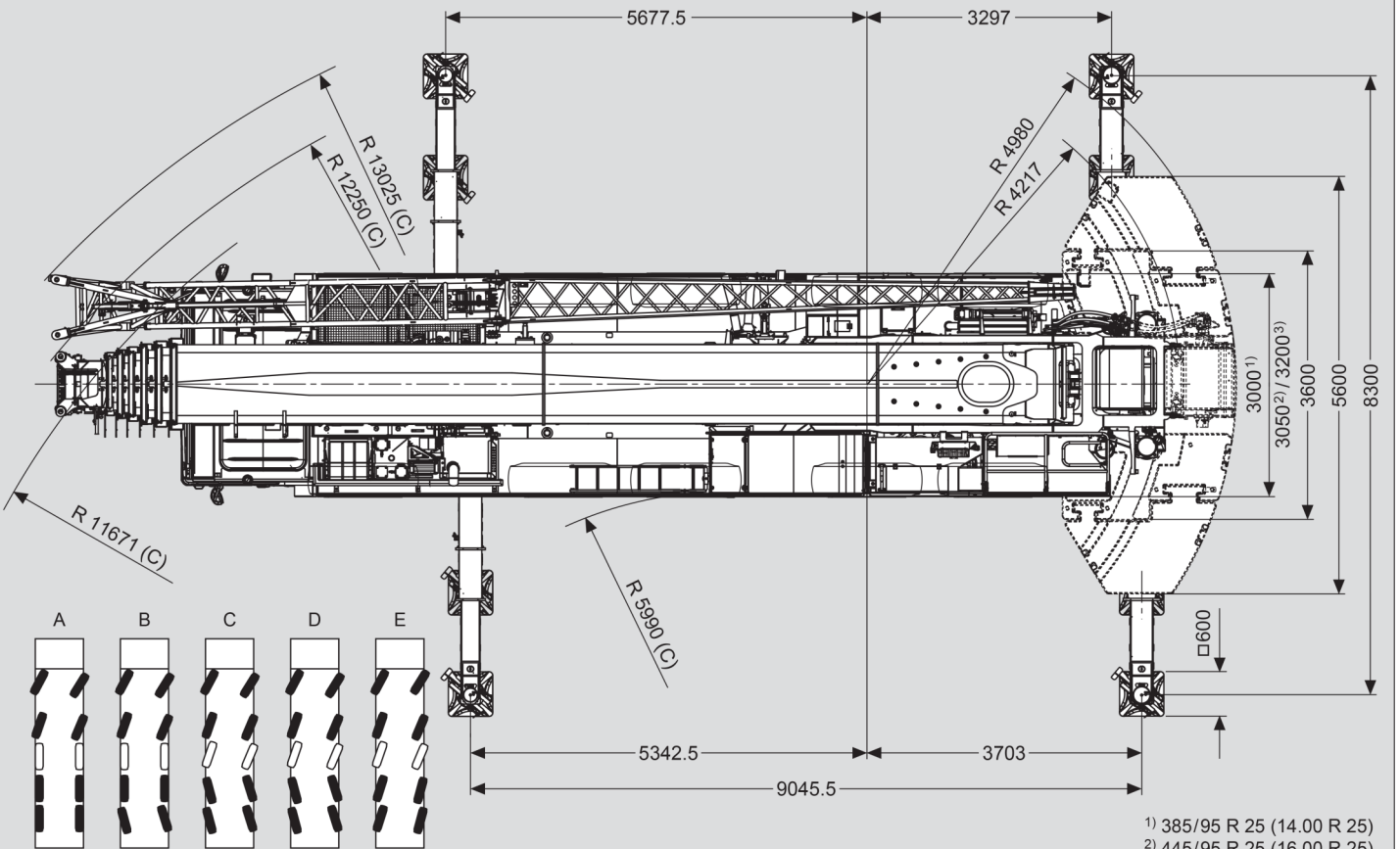
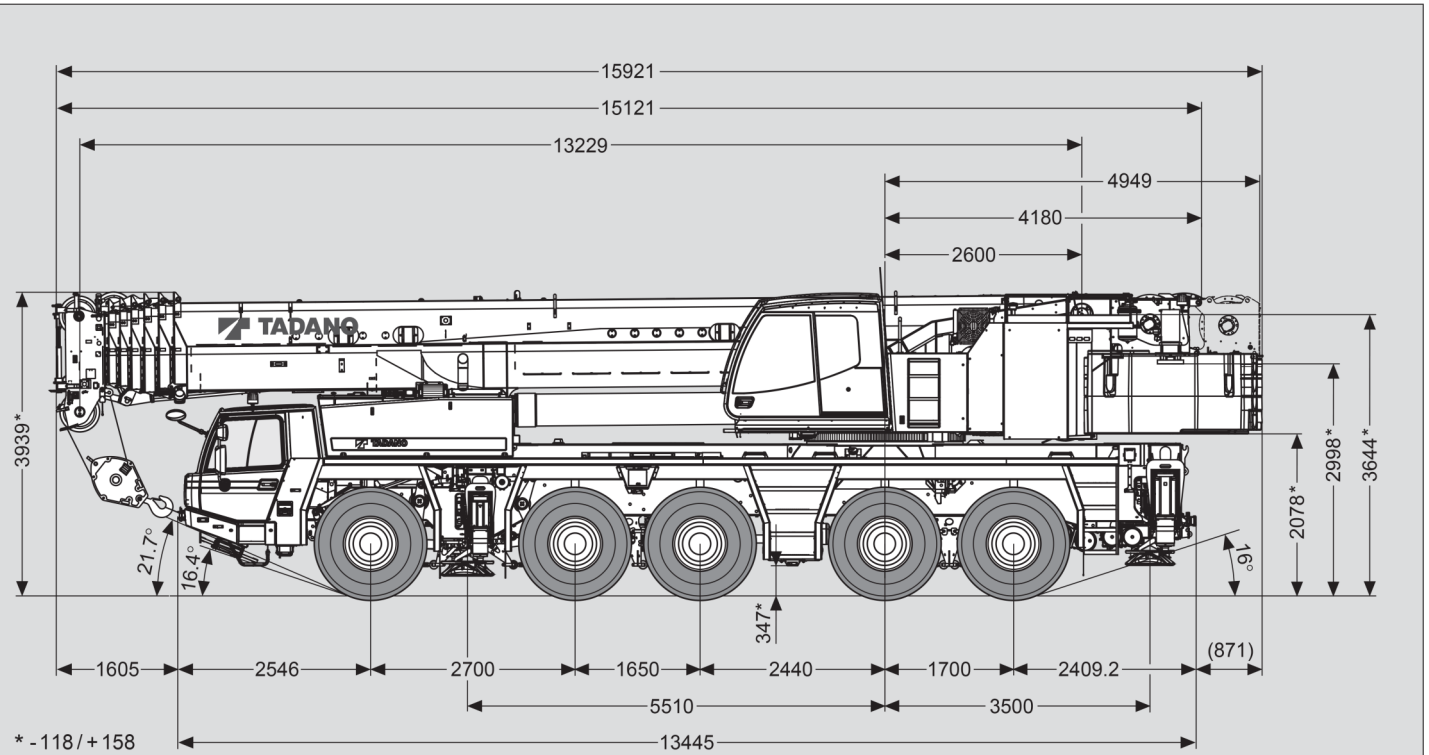




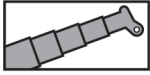
385/95 R 25
(14.00 R 25)

Dimensions (mm)



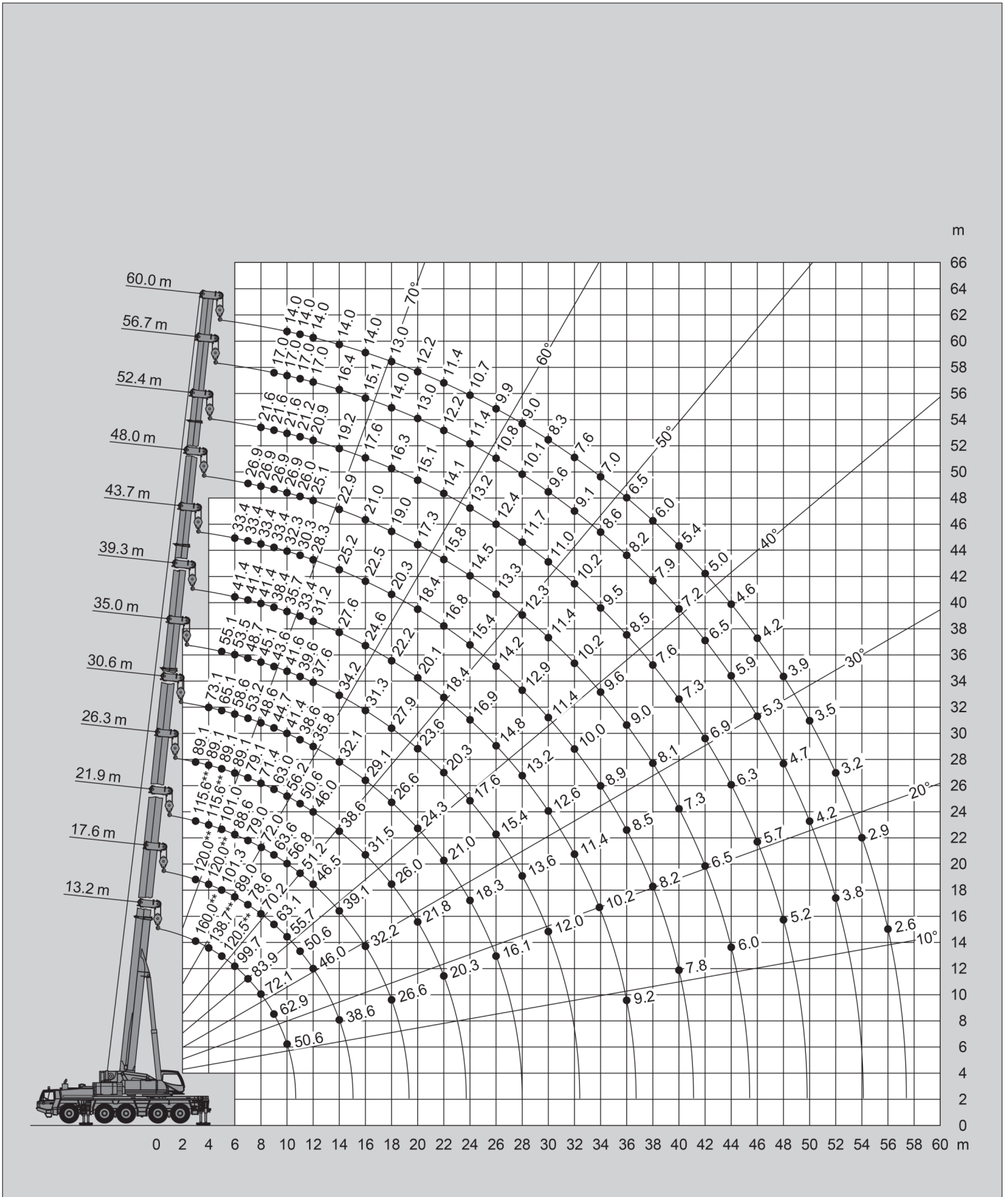
v > 50 km/h v ≥ 25 km/h v < 25 km/h

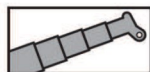
1) 385/95 R 25 (14.00 R 25)
2) 445/95 R 25 (16.00 R 25)
3) 525/80 R 25 (20.5 R 25)



51 t


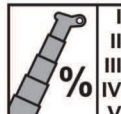
Lifting heights





51 t

Lifting capacities

|  m | 13.2 m* | 13.2 m | 17.6 m | 21.9 m | 26.3 m | 30.6 m | 35.0 m | 39.3 m | 43.7 m | 48.0 m | 52.4 m | 56.7 m | 60.0 m | |
|--|---------|---------|---------|---------|-----------|---------|---------|----------|----------|----------|----------|--------|--------|-----|
| 3.0 | 160.0** | 140.7** | 120.0** | 115.6** | 89.1 | | | | | | | | | |
| 3.5 | 149.8** | 129.6** | 120.0** | 115.6** | 89.1 | 74.2 | | | | | | | | |
| 4.0 | 138.7** | 120.0** | 120.0** | 115.6** | 89.1 | 73.1 | | | | | | | | |
| 4.5 | 129.1** | 111.6** | 111.8** | 111.5** | 89.1 | 68.9 | 55.1 | | | | | | | |
| 5.0 | 120.5** | 101.1 | 101.3 | 101.0 | 89.1 | 65.1 | 55.1 | | | | | | | |
| 6.0 | 99.7 | 88.8 | 89.0 | 88.6 | 89.1 | 58.6 | 53.5 | 41.4 | 33.4 | | | | | |
| 7.0 | 83.9 | 78.4 | 78.6 | 79.0 | 79.1 | 53.2 | 48.7 | 41.4 | 33.4 | 26.9 | | | | |
| 8.0 | 72.1 | 70.0 | 70.2 | 72.0 | 71.4 | 48.6 | 45.1 | 41.4 | 33.4 | 26.9 | 21.6 | | | |
| 9.0 | 62.9 | 62.9 | 63.1 | 63.6 | 63.0 | 44.7 | 43.6 | 38.4 | 33.4 | 26.9 | 21.6 | 17.0 | | |
| 10.0 | 50.6 | 50.6 | 55.7 | 56.8 | 56.2 | 41.4 | 41.6 | 35.7 | 32.3 | 26.9 | 21.6 | 17.0 | 14.0 | |
| 11.0 | | | 50.6 | 51.2 | 50.6 | 38.6 | 39.6 | 33.4 | 30.3 | 26.0 | 21.2 | 17.0 | 14.0 | |
| 12.0 | | | 46.0 | 46.5 | 46.0 | 35.8 | 37.6 | 31.2 | 28.3 | 25.1 | 20.9 | 17.0 | 14.0 | |
| 14.0 | | | 38.6 | 39.1 | 38.6 | 32.1 | 34.2 | 27.6 | 25.2 | 22.9 | 19.2 | 16.4 | 14.0 | |
| 16.0 | | | | 32.2 | 31.5 | 29.1 | 31.3 | 24.6 | 22.5 | 21.0 | 17.6 | 15.1 | 14.0 | |
| 18.0 | | | | 26.6 | 26.0 | 26.6 | 27.9 | 22.2 | 20.3 | 19.0 | 16.3 | 14.0 | 13.0 | |
| 20.0 | | | | | 21.8 | 24.3 | 23.6 | 20.1 | 18.4 | 17.3 | 15.1 | 13.0 | 12.2 | |
| 22.0 | | | | | 20.3 | 21.0 | 20.3 | 18.4 | 16.8 | 15.8 | 14.1 | 12.2 | 11.4 | |
| 24.0 | | | | | | 18.3 | 17.6 | 16.9 | 15.4 | 14.5 | 13.2 | 11.4 | 10.7 | |
| 26.0 | | | | | | 16.1 | 15.4 | 14.8 | 14.2 | 13.3 | 12.4 | 10.8 | 9.9 | |
| 28.0 | | | | | | | 13.6 | 13.2 | 12.9 | 12.3 | 11.7 | 10.1 | 9.0 | |
| 30.0 | | | | | | | 12.0 | 12.6 | 11.4 | 11.4 | 11.0 | 9.6 | 8.3 | |
| 32.0 | | | | | | | | 11.4 | 10.0 | 10.2 | 10.2 | 9.1 | 7.6 | |
| 34.0 | | | | | | | | 10.2 | 8.9 | 9.6 | 9.5 | 8.6 | 7.0 | |
| 36.0 | | | | | | | | 9.2 | 8.5 | 9.0 | 8.5 | 8.2 | 6.5 | |
| 38.0 | | | | | | | | | 8.2 | 8.1 | 7.6 | 7.9 | 6.0 | |
| 40.0 | | | | | | | | | 7.8 | 7.3 | 7.3 | 7.2 | 5.4 | |
| 42.0 | | | | | | | | | | 6.5 | 6.9 | 6.5 | 5.0 | |
| 44.0 | | | | | | | | | | 6.0 | 6.3 | 5.9 | 4.6 | |
| 46.0 | | | | | | | | | | | 5.7 | 5.3 | 4.2 | |
| 48.0 | | | | | | | | | | | 5.2 | 4.7 | 3.9 | |
| 50.0 | | | | | | | | | | | | 4.2 | 3.5 | |
| 52.0 | | | | | | | | | | | | 3.8 | 3.2 | |
| 54.0 | | | | | | | | | | | | | 2.9 | |
| 56.0 | | | | | | | | | | | | | 2.6 | |
|  % | I | 0 | 0 | 0 | 0/0/46/0 | 0/0/46 | 0/0/93 | 0/46/93 | 0/93/46 | 0/46/93 | 0/93/46 | 46/93 | 93 | 100 |
| | II | 0 | 0 | 0/46 | 0/0/46/46 | 0/0/46 | 0/46/46 | 0/46/46 | 0/46/46 | 46/46/93 | 93/93/93 | 93/93 | 93 | 100 |
| | III | 0 | 0 | 0 | 0/0/0/46 | 0/46/46 | 0/46/46 | 46/46/46 | 93/46/46 | 93/46/46 | 93/93/93 | 93/93 | 93 | 100 |
| | IV | 0 | 0 | 0 | 0/46/0/0 | 46/46/0 | 93/46/0 | 93/46/46 | 93/46/46 | 93/93/46 | 93/46/93 | 93/93 | 93 | 100 |
| | V | 0 | 0 | 46/0 | 93/46/0/0 | 93/46/0 | 93/46/0 | 93/46/0 | 93/46/93 | 93/93/46 | 93/46/46 | 93/46 | 93 | 100 |